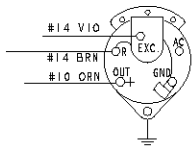


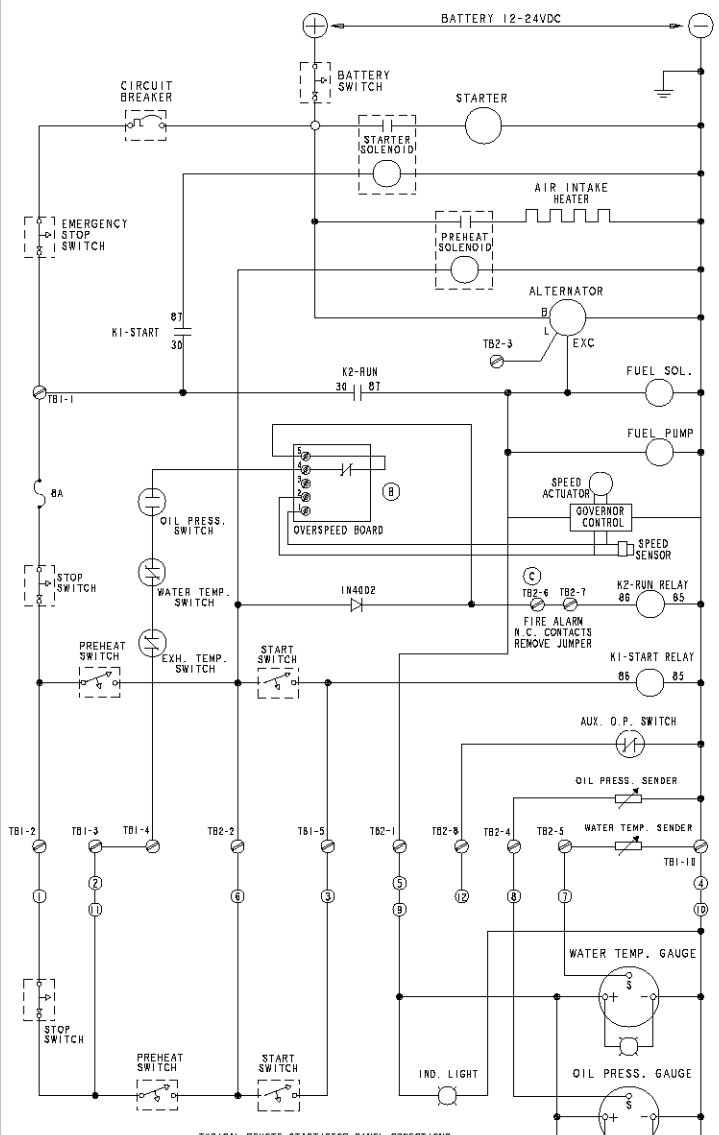
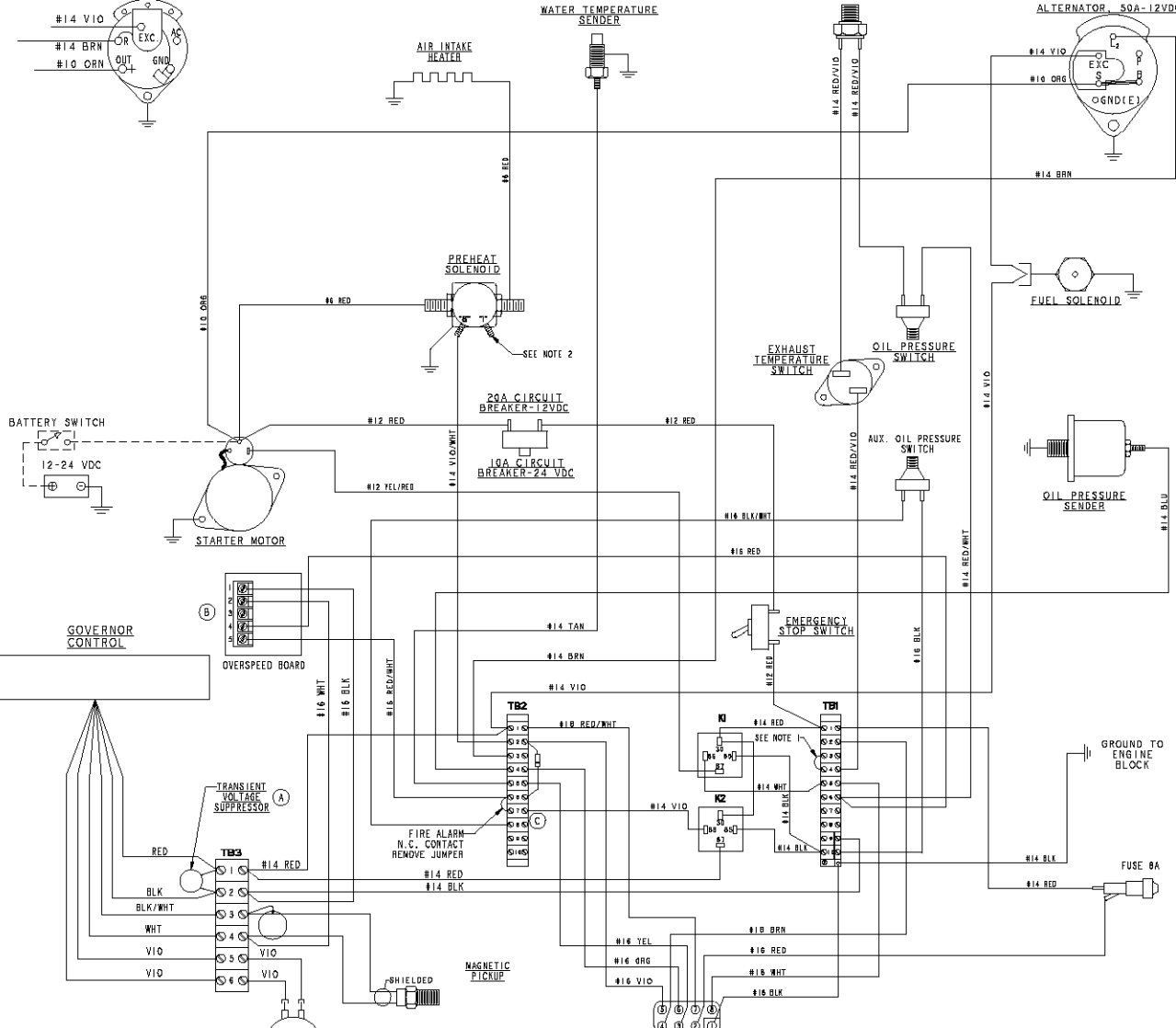
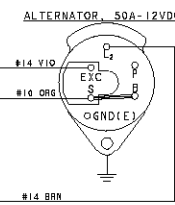
ALTERNATOR, 40A-24VDC



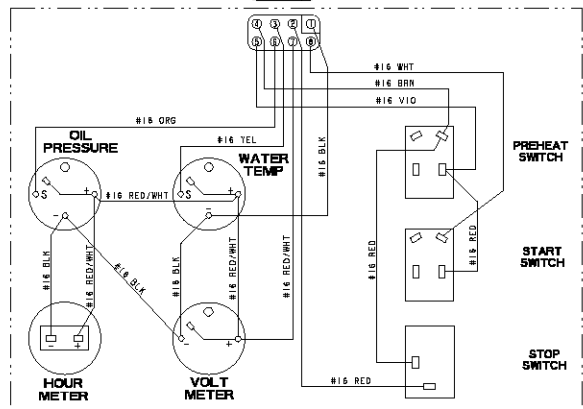
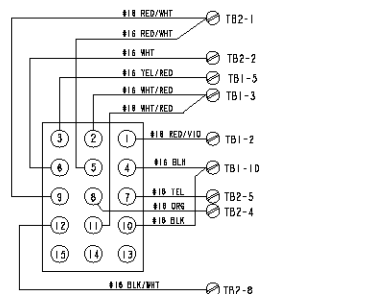
WATER TEMPERATURE SENDER

WATER TEMPERATURE SWITCH

ALTERNATOR, 50A-12VDC



- NOTE:
1. REMOVE JUMPER WHEN CONNECTING A SECOND REMOTE PANEL.
 2. GROUND "1" TERMINAL OF PREHEAT SOLENOID ON 24V SYSTEM ONLY.



INSTRUMENT PANEL

- NOTE:
- REMOTE CONNECTOR PINS

5861		11-3	ADD JUMPER BETWEEN TB2-6BT; K2-86 WAS CONNECTED TO TB2-6.	GA
5538		1-1	ADD OVERSPEED BOARD	GA
5484		1-2	ADD TRANSIENT VOLTAGE SUPPRESSOR TO CIRCUIT	LYS
E		1-2	ADD TRANSIENT VOLTAGE SUPPRESSOR TO CIRCUIT	LYS

TOLERANCES (UNLESS OTHERWISE NOTED)		WESTERBEKE CORPORATION AVON, MA. 02322	
FRACTIONS	DECIMALS	WIRING DIAGRAM/SCHEMATIC, 32.0 BEDA - SRC	
1/16	0.0625	DATE	SIZE
1/8	0.125	APPROVED BY	1.4 (REV. 10/00)
3/16	0.1875	DATE	FILE
1/2	0.500	REV	PROJECT NAME
3/4	0.750	REV	APP. 1 of 1
1	1.000	REV	44737